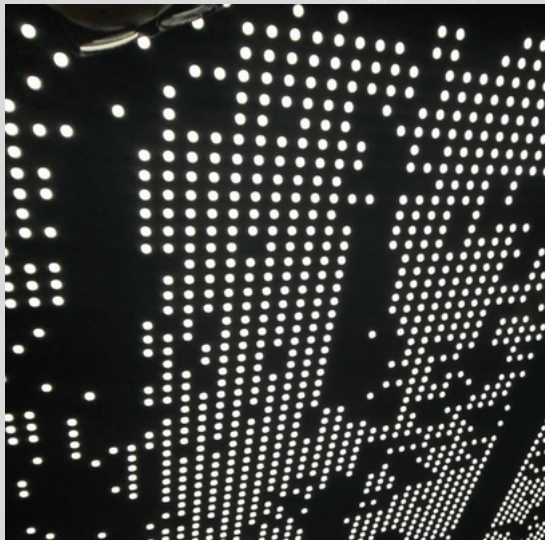
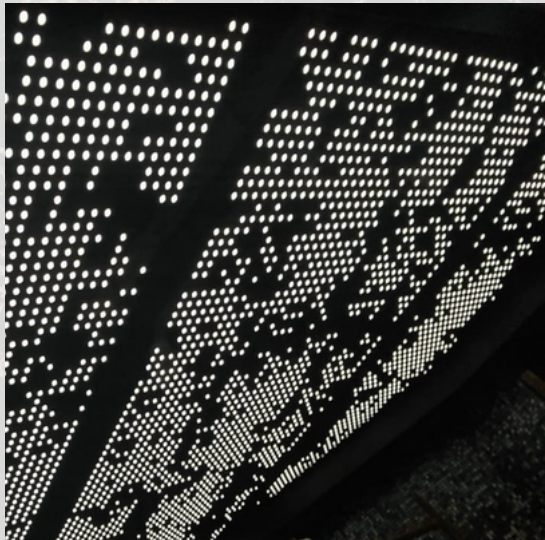




HOSET



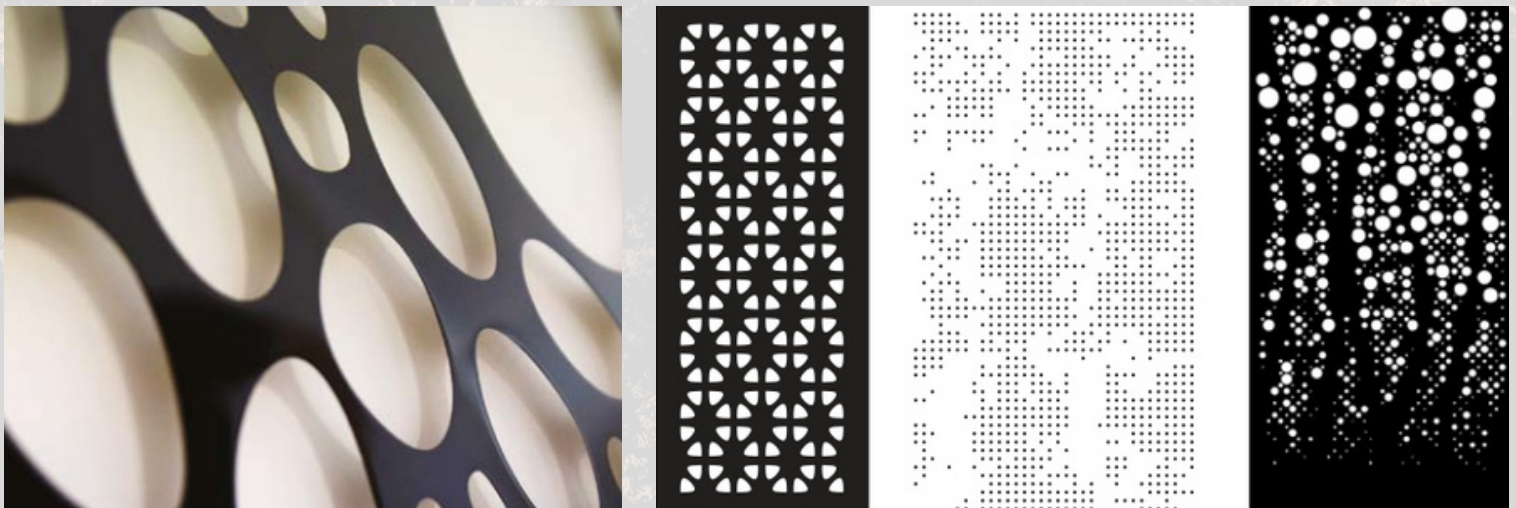
Conceptually new production line that allows to laser-cut any shape, form, size or design of perforation directly onto chosen membrane. The structure is always a combination of two sheets. One sheet is used as a bottom, or a background, sheet whereas the other one is cut artistically. Both sheets are installed at a short distance from each other (or very close to each other) creating an interesting visual effect.

A cutting plotter supports fast and precise cutting of any images with a minimum hole diameter up to 2,5 mm over sheets up to 190 cm wide. The holes can be of any size and shape, and will remain intact over time; they do not sag or distort even under differential temperatures. Stretch ceiling is an important interior design element that serves to create a unique and personal atmosphere in any sort of environment. As a matter of fact, the range of stretch ceilings application is limitless.

Technical information

Composition	2 layers of PVC film. Width 190 cm.
Weight / sqm	240 g/m ² ± 5%
Color	At your choice
Thickness	21-22 / 100
Fireclass	M1/B1 Bs1 D0 Bs2 D0
Reflection	5% - 96%
Resistance to humidity	Yes
Packaging	Roll
Disassembled & Reassembled	Yes 100%, completely disassembled and reassembled
Ecology	100 % recyclable - phtalates free - cadmium free - arsenic free - mercure free. Covering & print are A+ certified

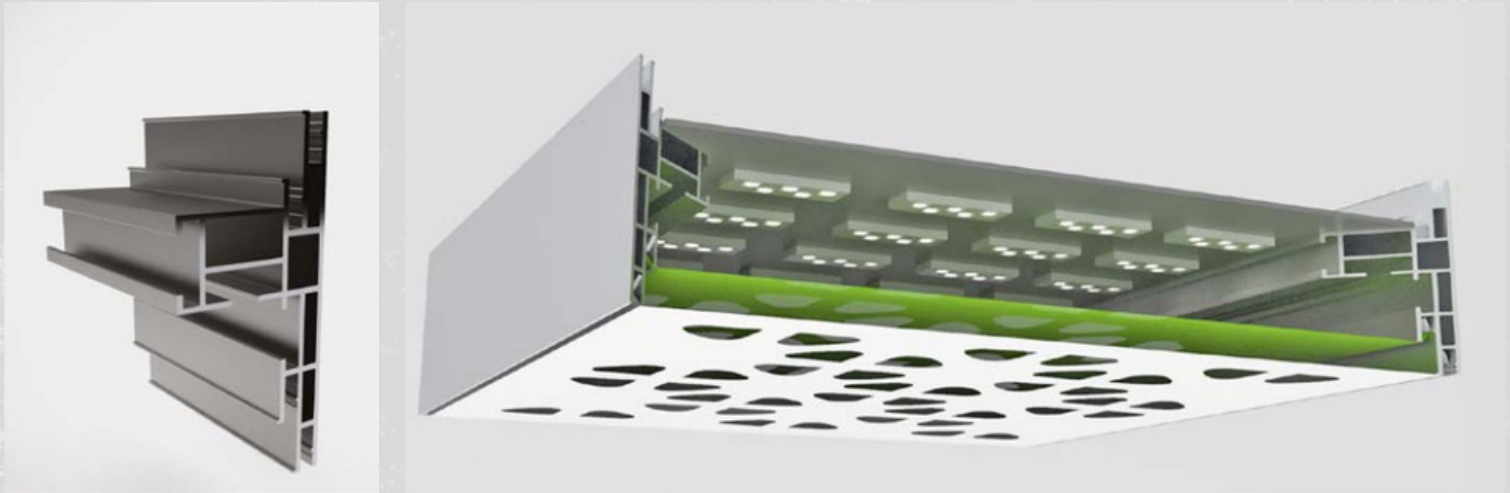
It is recommended to clean with a soft piece of textile and lukewarm water 2 times a year.



Variants of patterns are up to your imagination

PROFILE

Aluminium profile AL 22 A



Corner fixing with LC01 and LC02

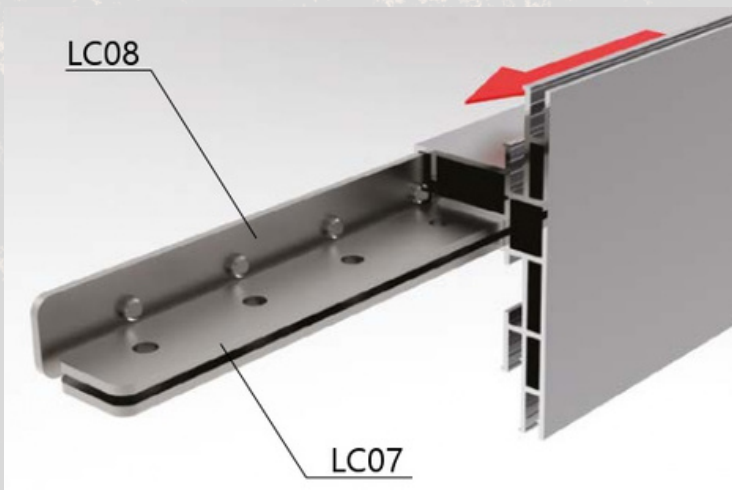


LC01



LC02

Connecting profiles by the length with LC07 and LC08



OBJECTS DONE

