



HOSET

NEW MODELS

HO
SET

| CONTENTS HOSET

4

ABOUT US

7

LABORATORY

9

HOSETMARBLE technology
sanitary ware of cast marble

11

HOSETSOFT technology
bauxite products

12

COLORED PRODUCTS

13

HOSETLIGHT technology
lightened bathtubs and
washbasins

17

MIRASTONE technology
kitchen sinks of quartz sand

20

WASHBASINS
AND SHOWER TRAYS
from quartz sand

21

WASHBASINS

41

BATHTUBS

51

KITCHEN SINKS

56

STANDS

ABOUT US

HOSET is a Ukrainian brand that has been specializing in the production of cast marble sanitaryware for over 10 years.

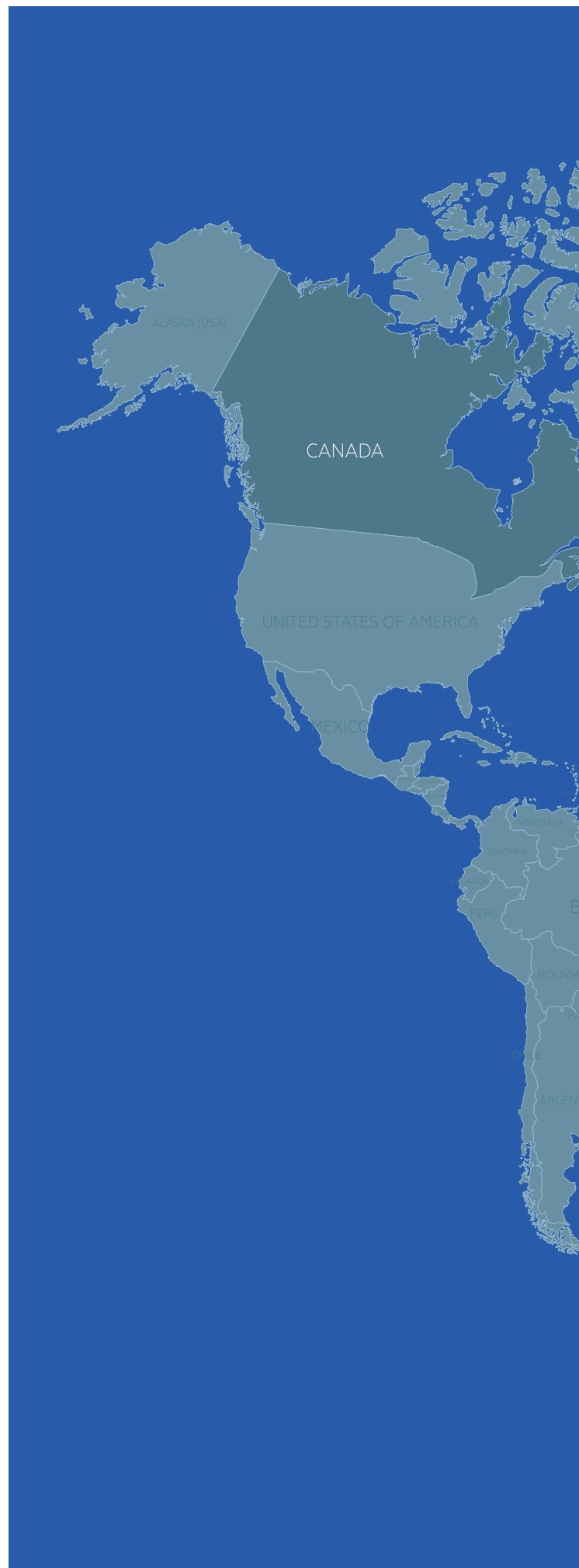
Our company has its own production, which is located in the city Dnipro. We use equipment that has no analogues in the world.

Each of our products is a unique masterpiece, on which a team of designers and technologists worked. Every detail is carefully thought out, because our philosophy is the design and production of elegant and at the same time practical sanitaryware in everyday life.

The mission of the company is to promote the concepts of a modern bathroom and kitchen that correspond with the rhythms of modern life.

And we are sure that the Ukrainian manufacturer can make sanitaryware, which is not inferior in quality to Italian products!

Today **HOSET** products are presented in 20+ countries around the world.





Every year we establish new partnerships in different parts of the world. **HOSET** has started a revolution in the field of bathrooms, offering unique designs and a variety of technological solutions.

FACTS about us

HOSET

4

kinds of
products

20+

countries
of the world

4

production
lines

180

employees
of the company

10 000 m²

of production area

100+

models

100 000

units of production
are produced per year

11+

years of work

5

technological
directions

5

representative offices
in other countries

LABORATORY HOSET

HOSET products meet the standards and requirements for sanitary ware products, which are approved both inside the country and abroad.

We have our own laboratory on the territory of the factory. It is maintaining a high quality of products and is constantly working on innovations and search of new technologies. Laboratory staff tests the physical and chemical properties of all materials used for production.



**ISO
9001**

CE 15
THE DECLARATION OF CONFORMITY

CAST MARBLE

Marble (from the ancient Greek - «white or shining stone») is a metamorphic rock, which consists only of calcite CaCO_3 . Dolomite marbles are formed during the recrystallization of $\text{CaMg}(\text{CO}_3)_2$ dolomite.

Thanks to the technology developed by **HOSET** specialists, the stone, which was formed millions of years ago, is transformed into high-quality and modern sanitaryware. The combination of ground marble and polyester resin creates products of elegant shape with unique technical characteristics.



HOSET technology sanitary ware of cast marble

Cast marble is a solid and durable material. The main component of the mixture is ground marble crumb, which is mixed with polyester resins. The outer surface of the products is covered with antibacterial gel **Gelcoat ISO NPG**, which makes the products strong and snow-white.

At the final stage of production, to give a glossy shine, the product is polished with a special paste. Glossy products are unpretentious in everyday life.

To obtain a velvety-matte surface, we polish the products with a paste with a matte finish paste. Such products are pleasant to the touch, but have a more porous structure, and therefore require more careful care.



BAUXITE



Bauxite is a sedimentary rock, consisting mainly of aluminum oxides and hydroxides, as well as iron oxide and various impurities (clay particles). In appearance, bauxites are very diverse. Their color is usually red, brownish brown, less often gray, white, yellow, black. The name comes from the area of Les Baux-de-Provence in the south of France, rich in bauxite deposits. This rock is extracted only in 18 countries of the world.

White bauxite is used in the production of Hoset sanitary ware. Additionally, only polyester resin is added. It is bauxite that gives plumbing products their white color and velvety texture. The material is antibacterial and even used in the medical sphere.

HOSET technology bauxite products

HOSET - HOSET IS A NEW TECHNOLOGY FOR THE PRODUCTION OF SANITARY WARE WITH AN IMPECCABLY MATTE FINISH.

The composition of the new material includes 80% bauxite and 20% polyester resin with additives.

Bauxite is a natural material that can be processed and mixed with resin. Thanks to its properties, bathtubs, washbasins and shower trays are as hard as stone, but have a pleasant matte finish.

Manufacturing according to HOSET technology is matte and homogeneous throughout the entire thickness of the product.

ADVANTAGES OF MIRASOFT PRODUCTS:



Easy care – you only need a sponge (abrasive part) and detergent.



Durability. We give a 10-year warranty on all our products and assure that the product will not lose its original appearance.



Impact resistance. The material is resistant to mechanical pressure.



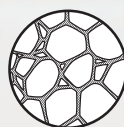
Maintainability. Shallow scratches are cleaned with the abrasive side of the sponge or sandpaper. Deep chips can be repaired with our repair kit.



Warm surface. The material takes on the temperature of the room.

12-25 mm
stone
mass

=



bauxite
+ polyester resin

COLORED PRODUCTS

To obtain an individual design of sanitaryware, you can choose any shade from the RAL palette, which is applied to the outer surface of the product. This product can also have a matte or glossy finish.

Before painting the product, on request, our specialists can provide colored samples so that you get the expected result.



HOSET technology lightened bathtubs and washbasins

We achieved this effect by adding microspheres to the mixture of ground marble.

All technical characteristics of cast marble products remain unchanged, except for weight, which is reduced by 30%.

WHAT ARE THE MAIN BENEFITS OF LIGHTED SANITARYWARE?



The weight of the product is reduced by

30%



It has the increased wear resistance



Heat saving increases by

40%



It has high thermal



and sound insulation

HOSETMARBLE technology



Heat retention

Cast marble is superior to natural stone in its properties. A special property of the material is low thermal conductivity. The products we make maintain the optimum temperature for a long time. Their surface is always warm and it ensures a comfortable staying in the bathtub.



Antibacterial coating

Each product is covered with a protective layer, which is antibacterial gel **Gelcoat ISO NPG**. This coating prevents the growth of harmful bacteria and microbes on the surface of the products.



Noise isolation

The mineral composite provides the product with a high level of noise absorption. It is caused by the high density of particles in the material. When there is no sound of water falling on the surface of the product, it significantly increases the comfort and convenience while using sanitaryware products.





Durability of the material

Cast marble is a unique material in which marble is mixed with polyester resin. It provides impact resistance, resistance to temperature and UF rays.

Due to the properties of the material and proper care, cast marble sanitaryware will last for many years.



A refined style

The structure of the material allows you to use a variety of shapes and curves while creating products. That is why we can provide the buyer with a variety of models for every taste.



Flexibility of the sizes

All products are available with a tolerance of 0-3 mm and a minimum radius of up to 2 mm. The properties of the material allow you to adjust the size of the product by trimming the material. Therefore, you will always receive a product of the required size.



QUARTZ SAND HOSET

An aerial photograph of a large-scale industrial sand processing facility. The image shows a complex network of conveyor belts, large cylindrical processing units, and structural steel frameworks. The ground is a mix of light-colored sand and darker, possibly wet or processed material. The perspective is from a high angle, looking down on the machinery.

Quartz sand is a material obtained by the extraction and classification of natural rolled sand, or the manufacture and sifting of rocks containing silicon.

Quartz sand has high heat resistance, which does not enter into chemical reactions with other substances.

HOSETSTONE technology kitchen sinks of quartz sand

HOSET kitchen sinks consist of 80% quartz sand and 20% polyester resin, which ensures the strength of our products. The sink can withstand temperatures from -70 to +70 °C and is not exposed to aggressive household dyes.

Kitchen sinks have a homogeneous texture and color. They do not absorb odors, repel grease and dirt, and do not change their color during use.

With proper care, a kitchen sink made of quartz sand will last for many years without changing its technical characteristics and excellent appearance. Each model is made in 6 trendy colors: terra, sand, jasmine, white, gray, black. Thanks to this variety, you can easily choose the shade you need!



80%
of quartz
sand

20%
of polyester
resin

HOSETSTONE technology



Resistance to household dyes

Due to the lack of pores on the surface of the products, food and chemical dyes can not penetrate into the stone, and therefore they easily wash off, leaving no traces and stains.



Ease of care

You can use any detergent that does not contain abrasive particles to clean the surface. Composite sinks tolerate hydrochloric and phosphoric acid, ammonia, hydrogen peroxide and iodine solution.



High strength material

In this respect, artificial stone is superior to natural analogues and even concrete. Dropping a fork, knife or iron utensil will not leave any cracks or chips on the sink. Deformations and bends from mechanical loads on the product will not occur, and with proper care, the sink will last at least 30 years



Hygiene

The surface of the sink or washbasin made of quartz sand is free of pores, so dirt will not accumulate on the product. No dirt means no harmful bacteria, plaque and odor.



WASHBASINS AND SHOWER TRAYS from quartz sand

A washbasin or a shower tray from quartz sand can be an interior accent. Quartz sand products of black and grey colours are used the most often.



Such washbasins perfectly harmonize with wooden cupboards and table tops. Combination of coloured sanitary ware and wood create really cozy atmosphere in your bathroom.



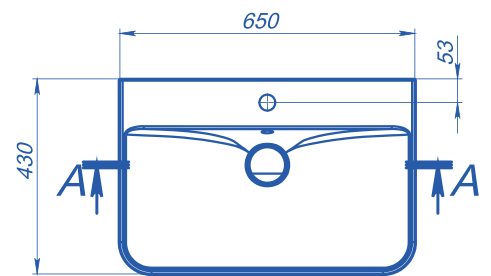
HOSET

WASHBASINS

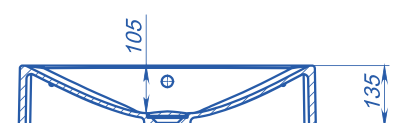


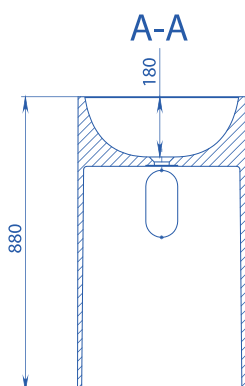
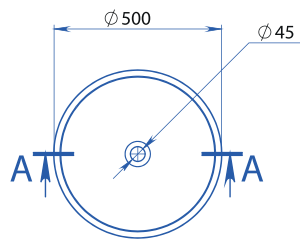
CHAMONIX

Material	miramarble (cast marble)
Coating	glossy
Dimensions, mm	655 x 432 x 135
Depth of a bowl, mm	105
Product weight, kg	16,58
Overflow	yes
The type of installation	built-in / countertop
Complete set	a washbasin, decorative overlay, overflow, documentation



A-A



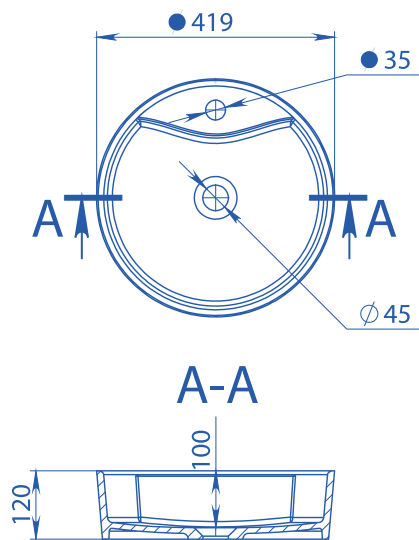


COSMOS |

Material	mirasoft
Coating	matte
Dimensions, mm	Ø 500 x 880
Depth of a bowl, mm	180
Product weight, kg	48,35
Overflow	no
The type of installation	freestanding
Complete set	a washbasin, documentation

COUNTRY





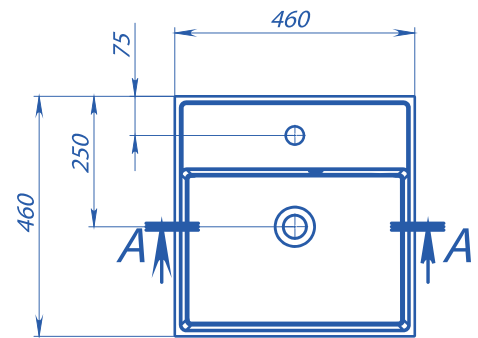
COUNTRY |

Material	miramarble (cast marble)
Coating	glossy
Dimensions, mm	Ø 419 x 120
Depth of a bowl, mm	100
Overflow	no
The type of installation	countertop
Complete set	a washbasin, documentation

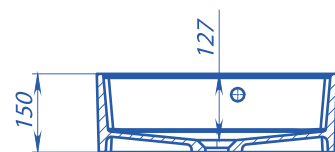


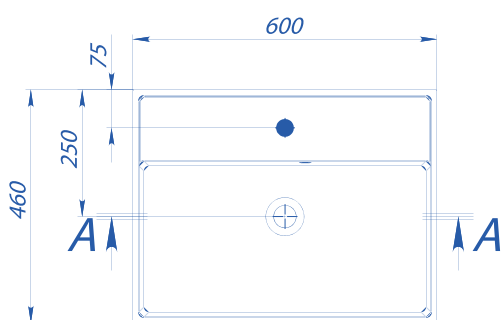
CRASS 460

Material	miramarble (cast marble)
Coating	glossy
Dimensions, mm	460 x 460 x 150
Depth of a bowl, mm	127
Overflow	yes
The type of installation	wall-mounted/countertop
Complete set	a washbasin, overflow, documentation

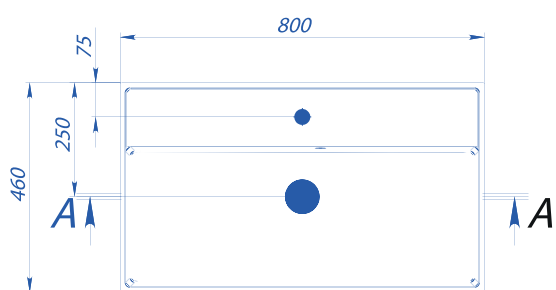
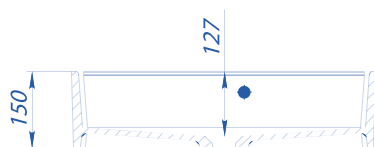


A-A

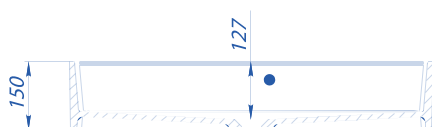




A-A



A-A



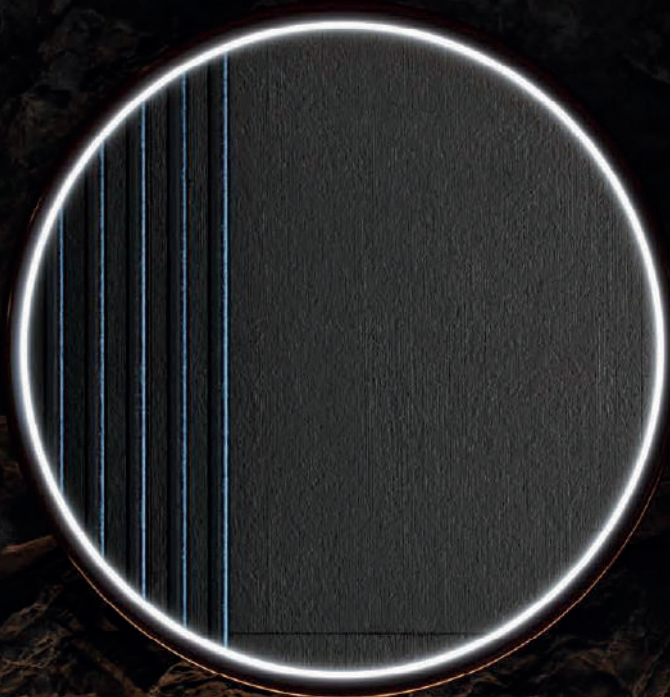
CRASS 600

Material	miramarble (cast marble)
Coating	glossy
Dimensions, mm	600 x 460 x 150
Depth of a bowl, mm	127
Overflow	yes
The type of installation	wall-mounted/countertop
Complete set	a washbasin, overflow, documentation

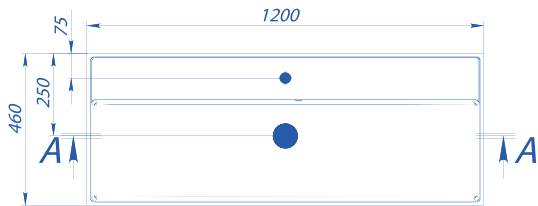
CRASS 800

Material	miramarble (cast marble)
Coating	glossy
Dimensions, mm	800 x 460 x 150
Depth of a bowl, mm	127
Overflow	yes
The type of installation	wall-mounted/countertop
Complete set	a washbasin, overflow, documentation

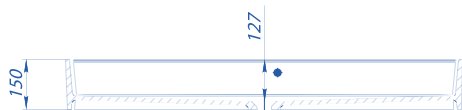
CRASS 1200



HOSET



A-A



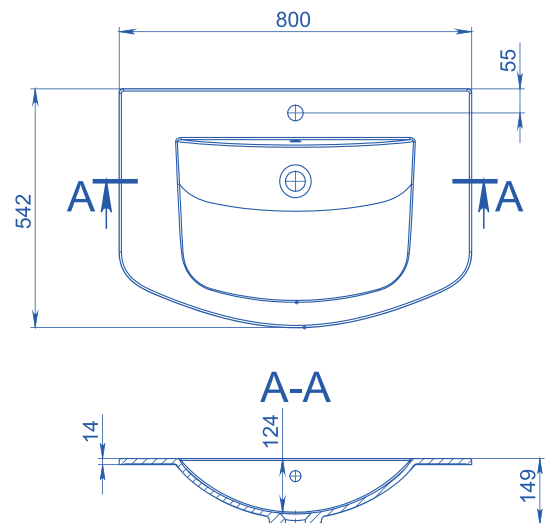
CRASS 1200 |

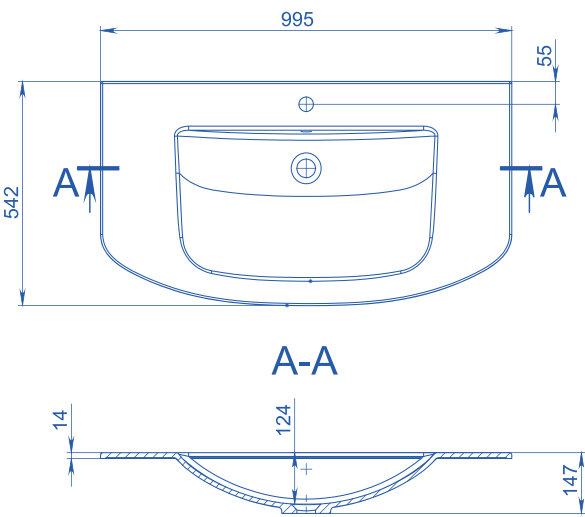
Material	miramarble (cast marble)
Coating	glossy
Dimensions, mm	1200 x 460 x 150
Depth of a bowl, mm	127
Overflow	yes
The type of installation	wall-mounted/countertop
Complete set	a washbasin, overflow, documentation



DEA 800

Material	miramarble (cast marble)
Coating	glossy
Dimensions, mm	800 x 542 x 149
Depth of a bowl, mm	124
Product weight, kg	12,95
Overflow	yes
The type of installation	built-in / countertop
Complete set	a washbasin, overflow, documentation





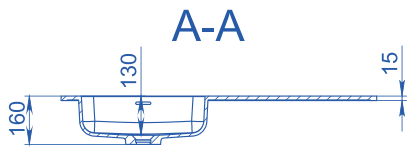
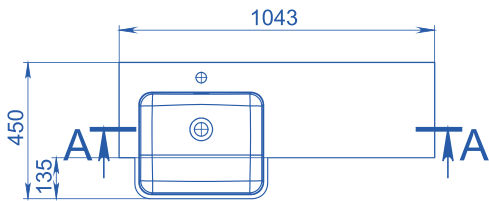
DEA 1000

Material	miramarble (cast marble)
Coating	glossy
Dimensions, mm	995x542x149
Depth of a bowl, mm	124
Product weight, kg	16,5
Overflow	yes
The type of installation	built-in / countertop
Complete set	a washbasin, overflow, documentation

HOSET

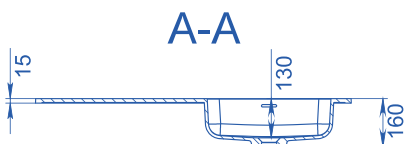
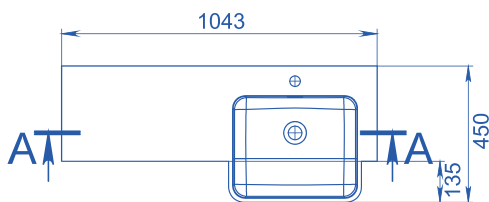
FONTANA





FONTANA LI

Material	mirasoft
Coating	matte
Dimensions, mm	1043 x 450 x 160
Depth of a bowl, mm	130
Overflow	integrated
The type of installation	countertop
Complete set	a washbasin, documentation



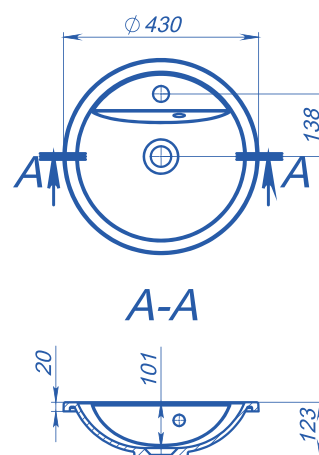
FONTANA R

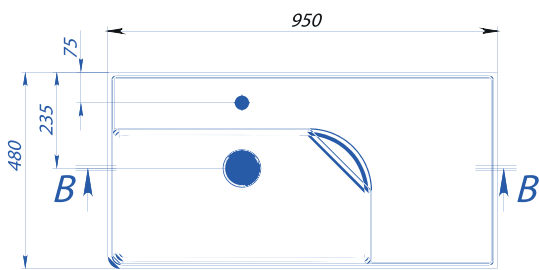
Material	mirasoft
Coating	matte
Dimensions, mm	1043 x 450 x 160
Depth of a bowl, mm	130
Overflow	integrated
The type of installation	countertop
Complete set	a washbasin, documentation



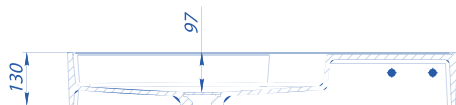
MADISON

Material	miramarble (cast marble)
Coating	glossy
Dimensions, mm	Ø 450 x 123
Depth of a bowl, mm	101
Product weight, kg	5,0
Overflow	yes
The type of installation	built-in
Complete set	a washbasin, overflow, documentation





B-B



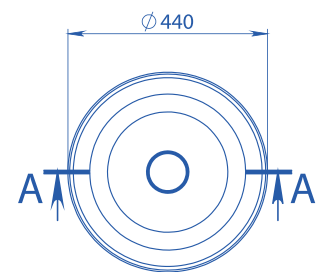
OPTIMUS |

Material	miramarble (cast marble)
Coating	glossy
Dimensions, mm	950 x 480 x 130
Depth of a bowl, mm	97
Overflow	yes
The type of installation	built-in / countertop
Complete set	a washbasin, overflow, documentation

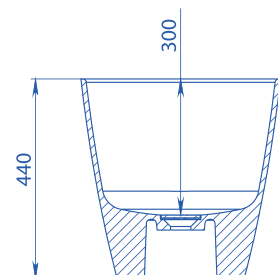


SAN ANDREAS

Material	miramarble (cast marble)
Coating	glossy
Dimensions, mm	Ø 450 x 440
Depth of a bowl, mm	300
Product weight, kg	21,5
Overflow	no
The type of installation	countertop
Complete set	a washbasin, decorative overlay, documentation

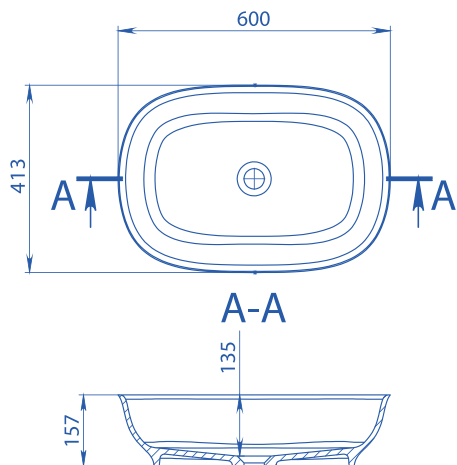


A-A





SANTORINI |



Material	miramarble (cast marble)
Coating	glossy
Dimensions, mm	600 x 413 x 157
Depth of a bowl, mm	135
Product weight, kg	9,55
Overflow	no
The type of installation	countertop
Complete set	a washbasin, documentation

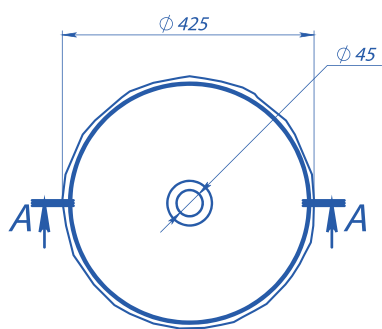
SAPPHIRE



HOSET



SAPPHIRE |



A-A

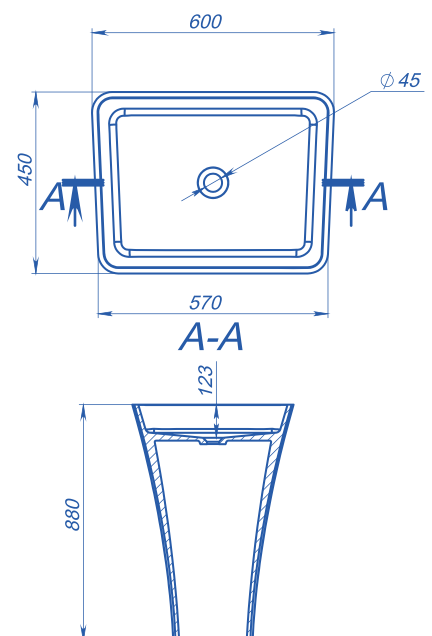


Material	miramarble (cast marble)
Coating	glossy
Dimensions, mm	Ø 425 x 160
Depth of a bowl, mm	137
Overflow	no
The type of installation	countertop
Complete set	a washbasin, documentation



| SUNNY

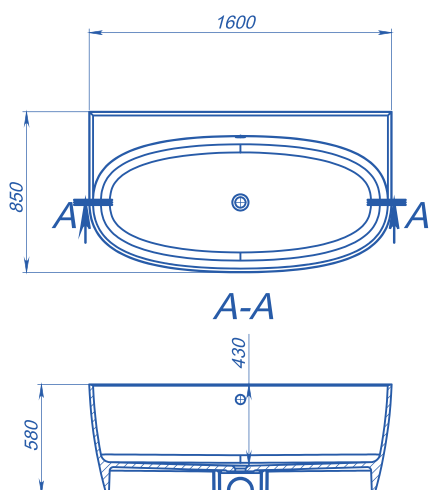
Material	miramarble (cast marble)
Coating	glossy
Dimensions, mm	880 x 600 x 450
Depth of a bowl, mm	123
Product weight, kg	46,1
Overflow	no
The type of installation	freestanding
Complete set	a washbasin, documentation



HOSET BATHTUBS

ANNA





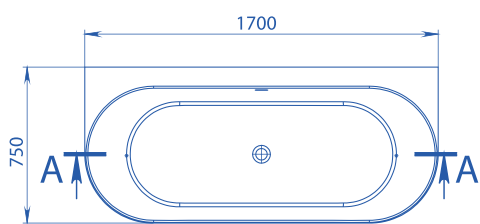
ANNA |

Material	miramarble (cast marble)
The coating	glossy
Overall dimensions, mm	1600 x 850 x 580
Depth of a bowl, mm	430
Product weight, kg	182,6
Volume, l	430
The overflow	integrated
The type of installation	wall-mounted
Complete set	a bath, siphon, documentation

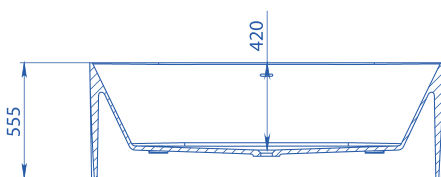
HOSET

BRAVE NEW





A-A

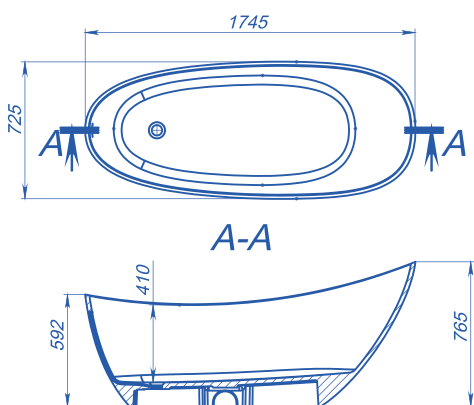


BALI |

Material	miramarble (cast marble)
The coating	glossy
Overall dimensions, mm	1700 x 750 x 555
Depth of a bowl, mm	420
Volume, l	310
The overflow	integrated
The type of installation	wall-mounted
Complete set	a bath, siphon, documentation

MARINA





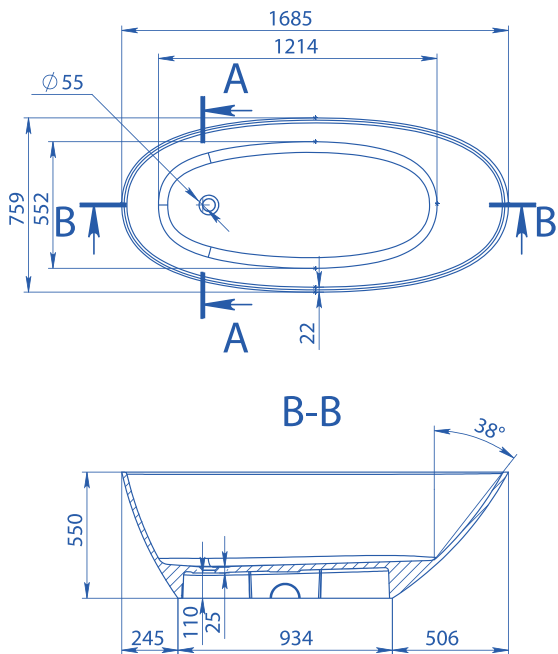
MARINA |

Material	miramarble (cast marble)
The coating	glossy
Overall dimensions, mm	1745 x 725 x 765
Depth of a bowl, mm	410
Volume, l	310
The overflow	integrated
The type of installation	freestanding
Complete set	a bath, siphon, documentation

HOSET

MELBOURNE





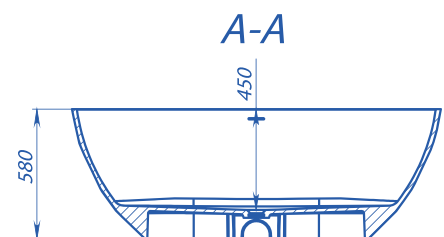
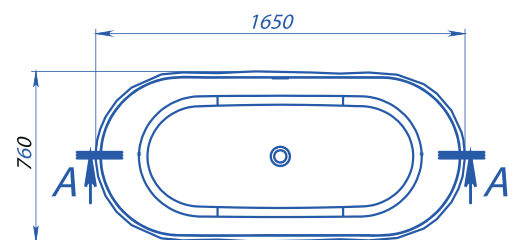
MELBOURNE |

Material	miramarble (cast marble)
The coating	glossy
Overall dimensions, mm	1685 x 760 x 548
Depth of a bowl, mm	415
Volume, l	310
The overflow	no
The type of installation	freestanding
Complete set	a bath, siphon, documentation



SAPPHIRE

Material	miramarble (cast marble)
The coating	glossy
Overall dimensions, mm	1650 x 760 x 580
Depth of a bowl, mm	450
Volume, l	360
The overflow	integrated
The type of installation	freestanding
Complete set	a bath, siphon, documentation



HOSET

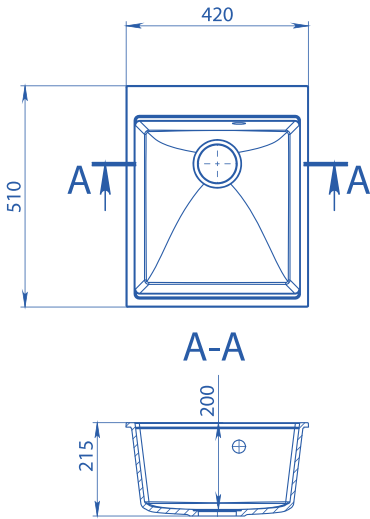


KITCHEN SINKS

LAGOON

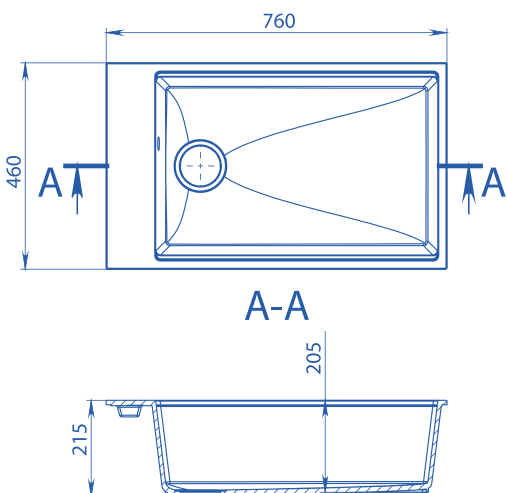
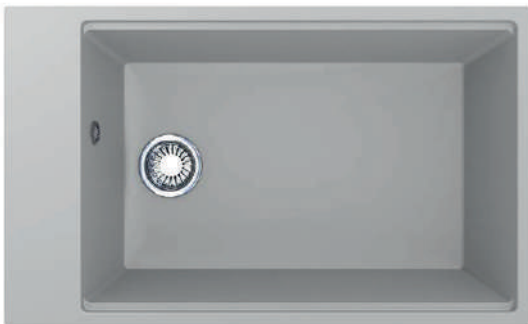


HOSET



LAGOON 420

Material	quartz sand
The number of bowls	one main
Overall dimensions, mm	420 x 510 x 215
Depth of a bowl, mm	200
Installation type	undertop
Complete set	a kitchen sink, fastenings, siphon, documentation



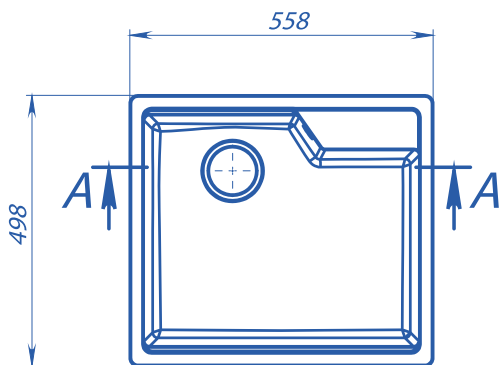
LAGOON 760

Material	quartz sand
The number of bowls	one main
Overall dimensions, mm	760 x 460 x 215
Depth of a bowl, mm	200
Installation type	undertop
Complete set	a kitchen sink, fastenings, siphon, documentation

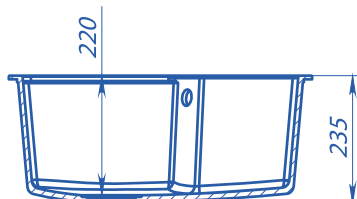
LISA



HOSET



A-A



LISA |

Material	quartz sand
The number of bowls	one main
Overall dimensions, mm	558 x 498 x 235
Depth of a bowl, mm	222
Installation type	undertop
Complete set	a kitchen sink, fastenings, siphon, documentation

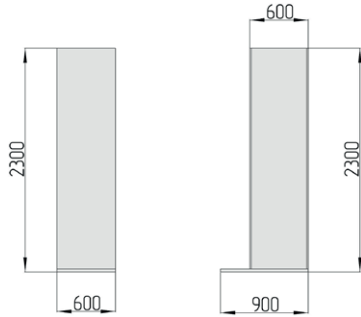
STANDS HOSET

VERTICAL STANDS



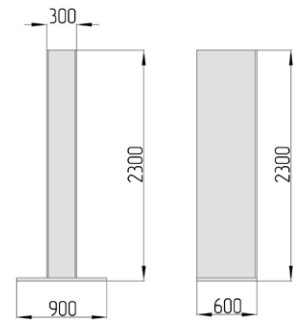
Stand 001

- FARO
- NICE
- FRANCE
- VARNA 600



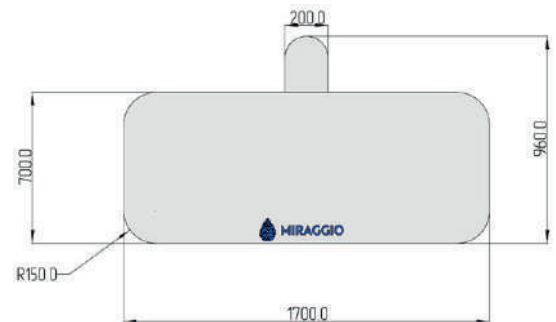
Stand 002

- FARO
- ELLEL
- FRANCE
- DEVON
- MARTEEN
- NICE
- SORRENTO
- VARNA 600

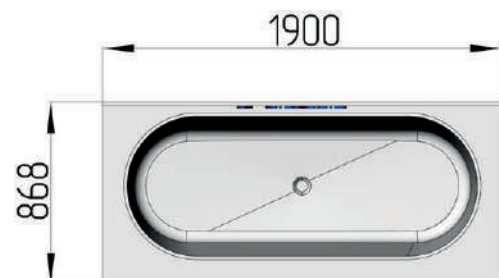


STANDS FOR BATHTUBS

Stand 004



Stand 005



STAND FOR SHOWERTRAYS

Stand 006

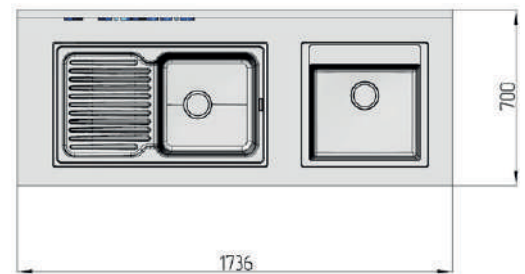
- PARIS 1200
- MADRID 900
- BRUGGE 900



STAND FOR KITCHEN SINKS

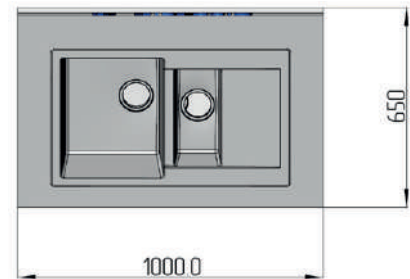
Stand 007-1

- ORLEAN
- BODRUM 510
- MALIBU
- LAPAS
- TULUZA
- TIRION



Stand 007-2

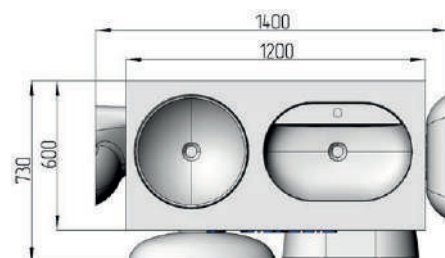
- LAPAS
- BODRUM 510
- BODRUM 650
- VERSAL
- ORLEAN



STANDS FOR WASHBASINS

Stand 008

- FRANCE
- ELLEL
- FLORENCE
- NICE
- SORRENTO
- MARTEEN



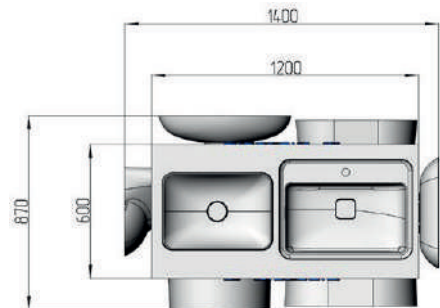
Stand 009

- DEBORA
- FLORENCE
- SORRENTO
- VARNA 700
- DELLA 700
- ELLEL
- VIOLA 1000



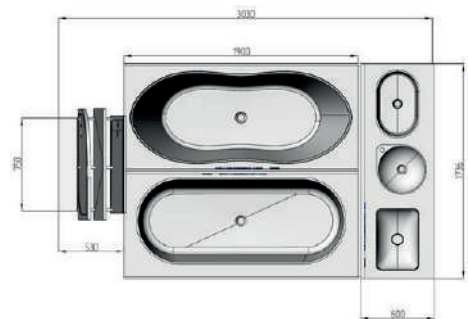
Stand 010

- DEBORA
- MARAKESH
- FLORENCE
- ELLEL
- FRANCE
- MARTEEN
- SORRENTO
- NICE

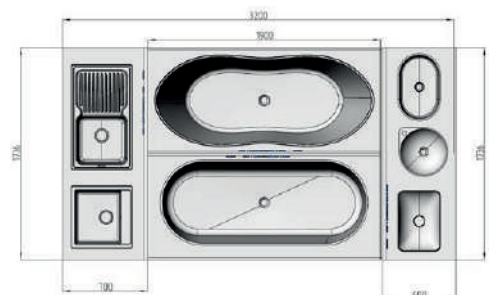


STANDS MODULAR

Stand 011



Stand 012



HOSET





HOSET

THAT'S WHAT YOUR
HOUSE CHOOSES

HOLDEN AASMÄE

+46730808396 Swedish

+46730808396 English

+46730808396 Deutch

info@swedest.co

Besöksadress

STORSEGLVÄGEN 2 LGH 1103

Ort: 117 71 Stockholm

Län: Stockholms län

HOSET