

HOSET

FIREPROOF

CONCEALED
DOORS

new



Ei30 Ei60

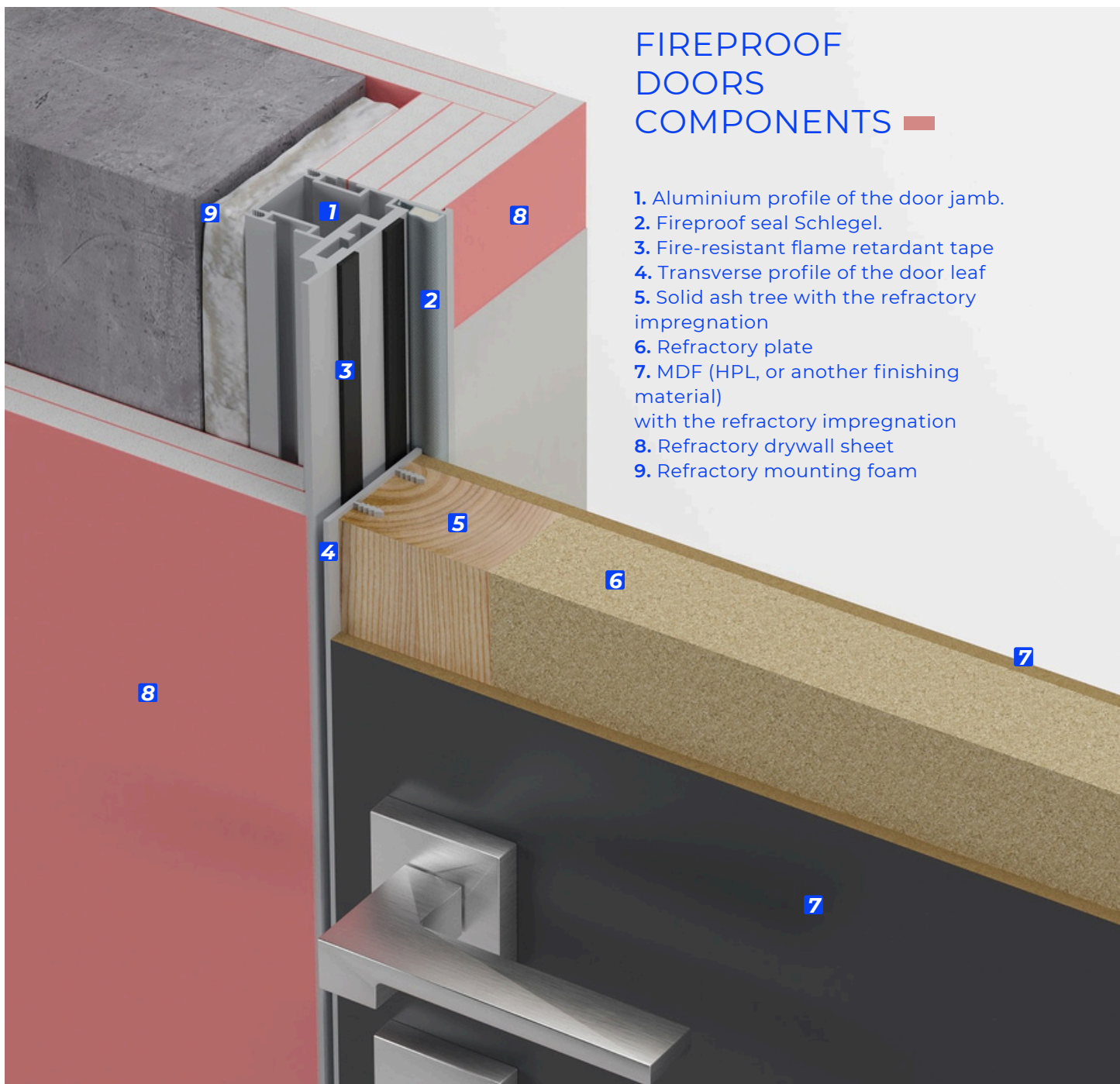
FIREPROOF DOORS

for hotels, shopping
and office centers,
administrative
buildings



For the public premises,
administrative buildings,
shopping or office centers,
where the fire safety rules are
to be fulfilled, the **Hoset**
company has developed the
fireproof concealed doors EI30
/ Ei60.

FIREPROOF DOORS COMPONENTS



1. Aluminium profile of the door jamb.
2. Fireproof seal Schlegel.
3. Fire-resistant flame retardant tape
4. Transverse profile of the door leaf
5. Solid ash tree with the refractory impregnation
6. Refractory plate
7. MDF (HPL, or another finishing material) with the refractory impregnation
8. Refractory drywall sheet
9. Refractory mounting foam

ACCESSORIES COMPONENTS



made in France



Refractory concealed hinges
Certificate E12 30 EN 1634-1



made in Netherlands



Refractory lock



made in Switzerland



Drop seal
Fireproof certificate



Automatic closer
from stainless steel



Door straightener

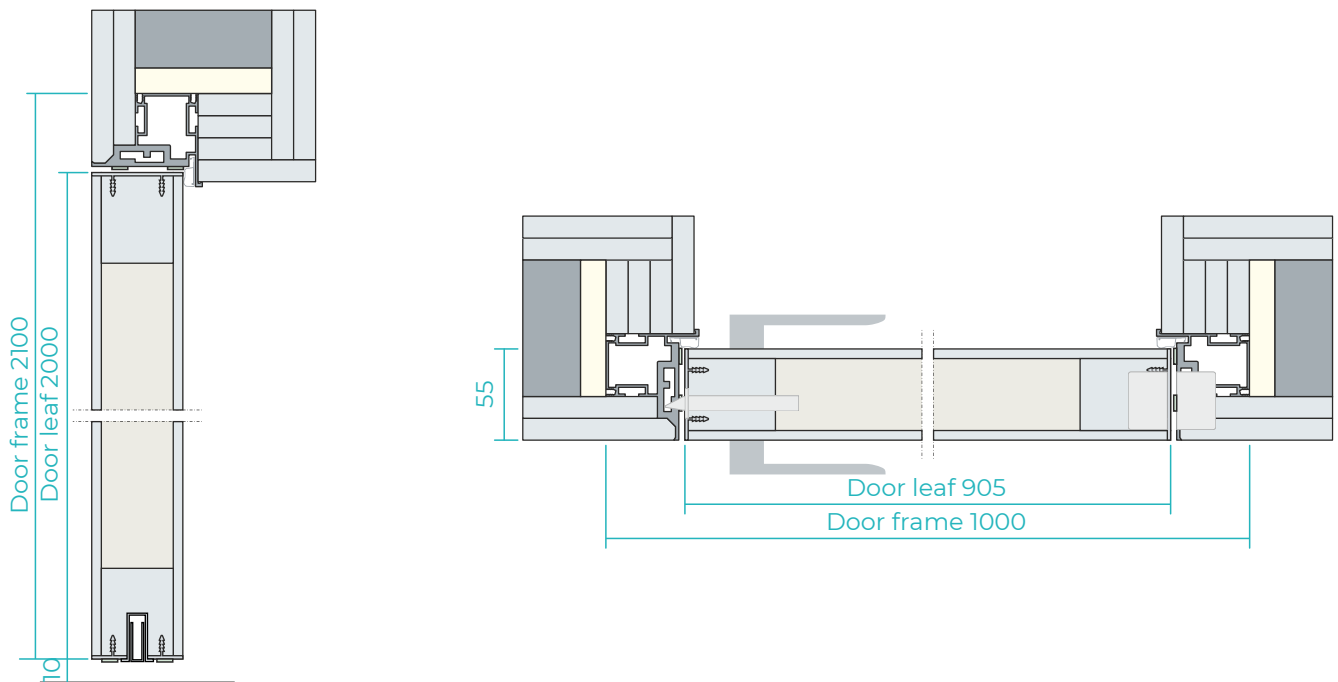


Door handles
Customized selection



Our doors meet all the necessary safety standards required for installation in the hotels, enterprises, schools and other public buildings. The latest generations of refractory impregnations, primers and paints are completely ecological and suitable even for the residential premises. In the fire-resistant SecretDoors we use complex means of protection against ignition and the spread of flame. Concealed fireproof doors comply not only with safety standards, but also with the modern design trends.

MOUNTING SCHEME of the fireproof doors



HOSSET



044 744 1465



myynti@hoset.fi



MiiA Rakennus Oy,



Akerlundinkatu 11A, 33100 Tampere



Open: by appointment



Call center daily from 9:00 to 22:00

CLICK
ME



SCAN
ME

